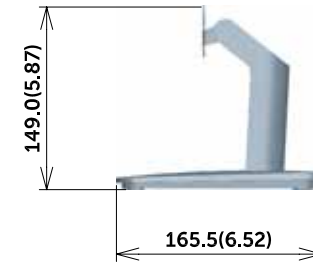
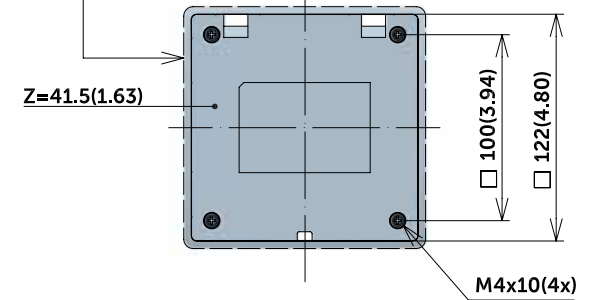
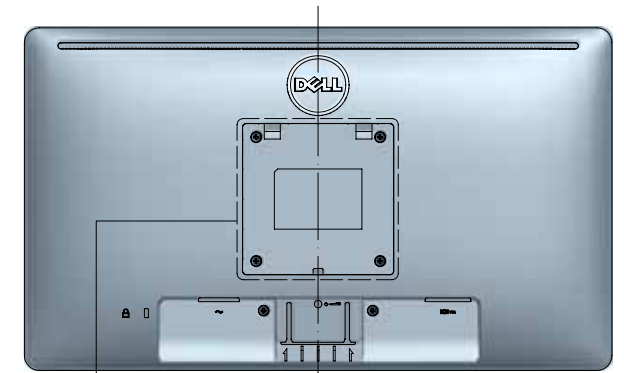
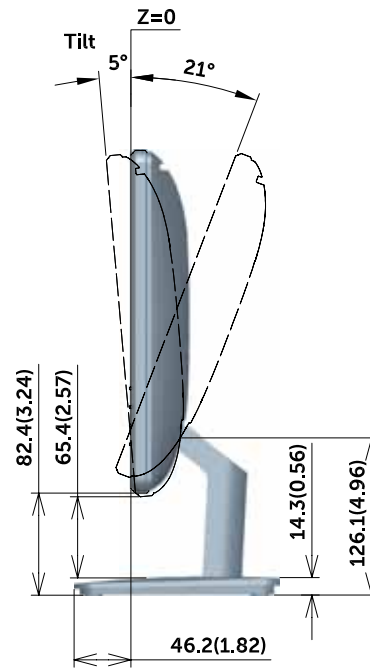
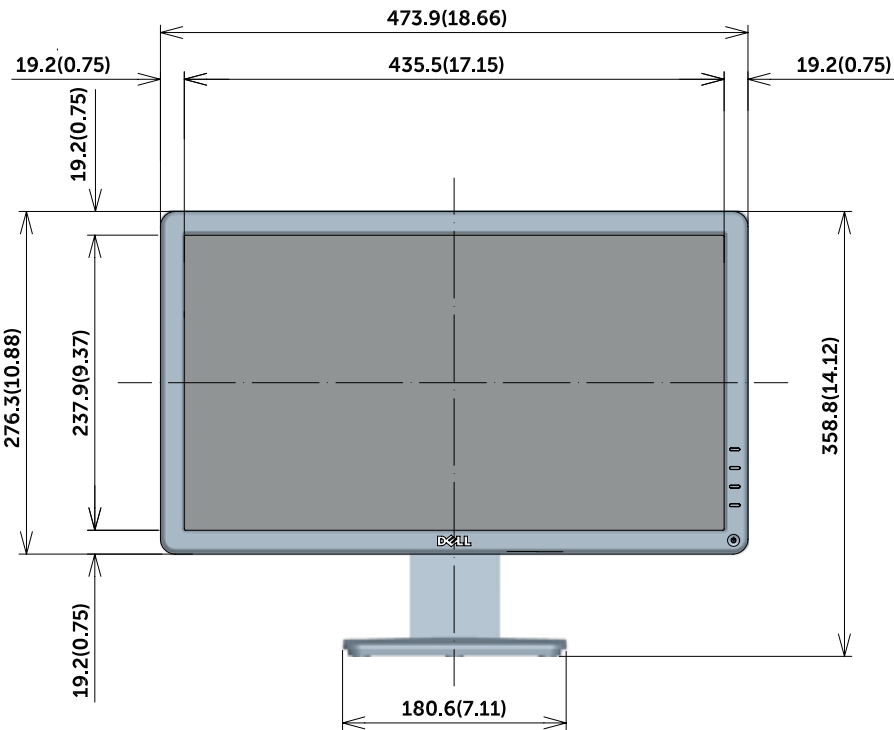
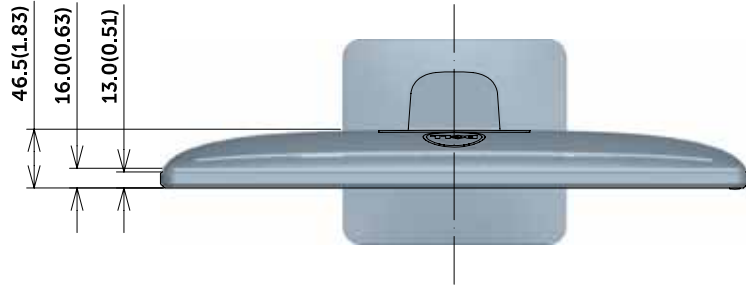


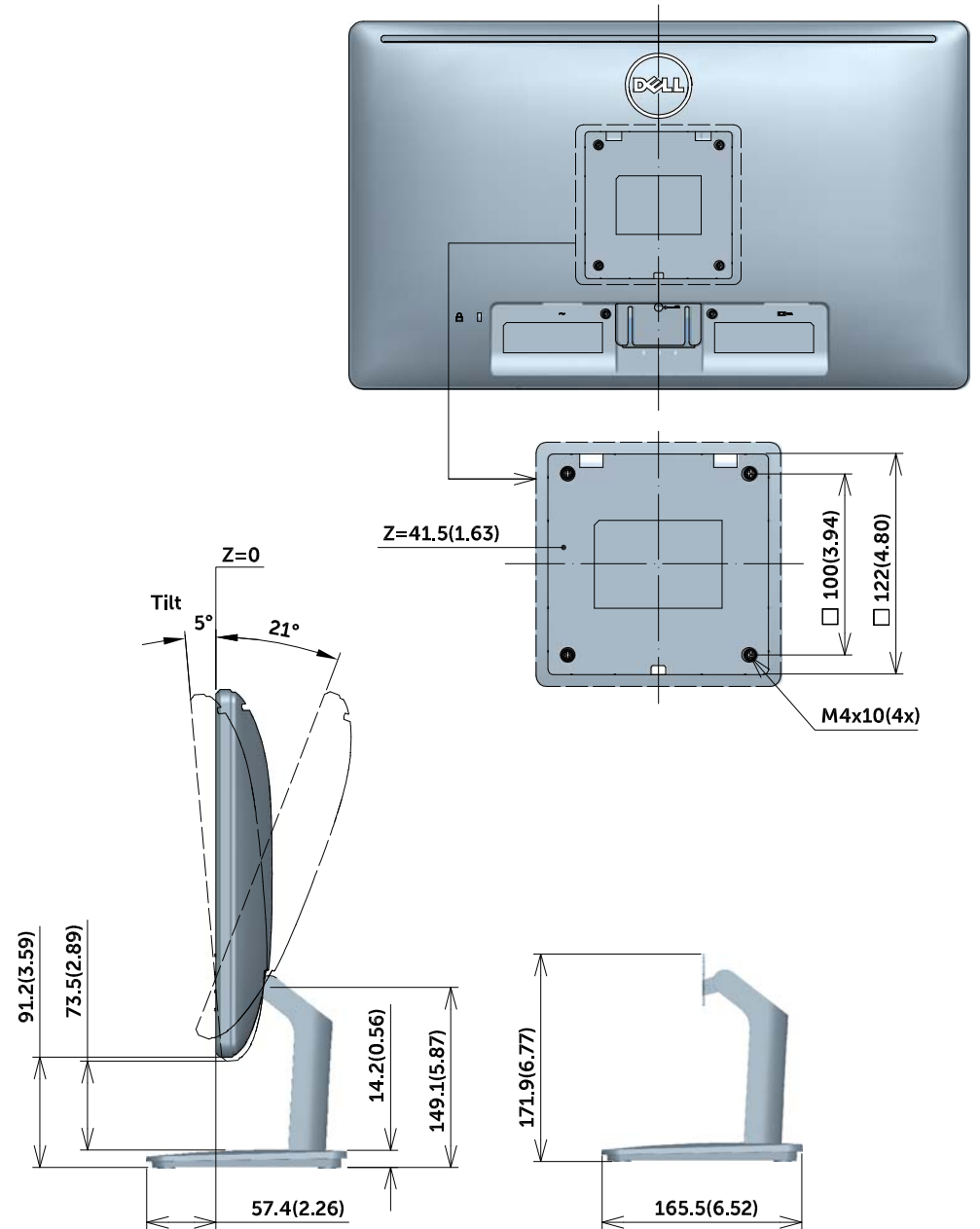
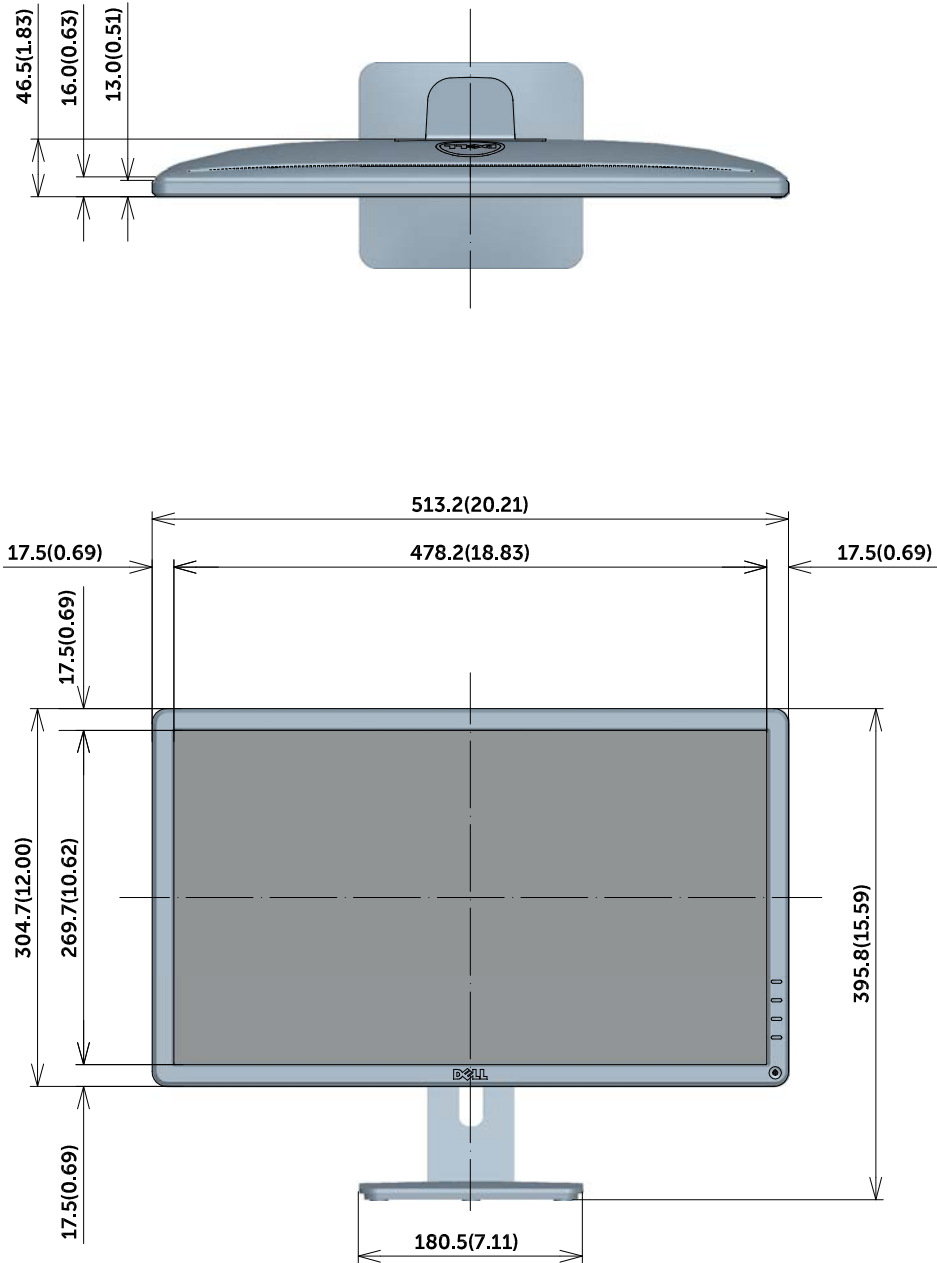
E2015HV Outline Dimension

Unit : mm(inch)
 Dimension : Nominal
 Drawing : Not to scale



E2215HV Outline Dimension

Unit : mm(inch)
 Dimension : Nominal
 Drawing : Not to scale



E2715H Outline Dimension

Unit : mm(inch)
 Dimension : Nominal
 Drawing : Not to scale

